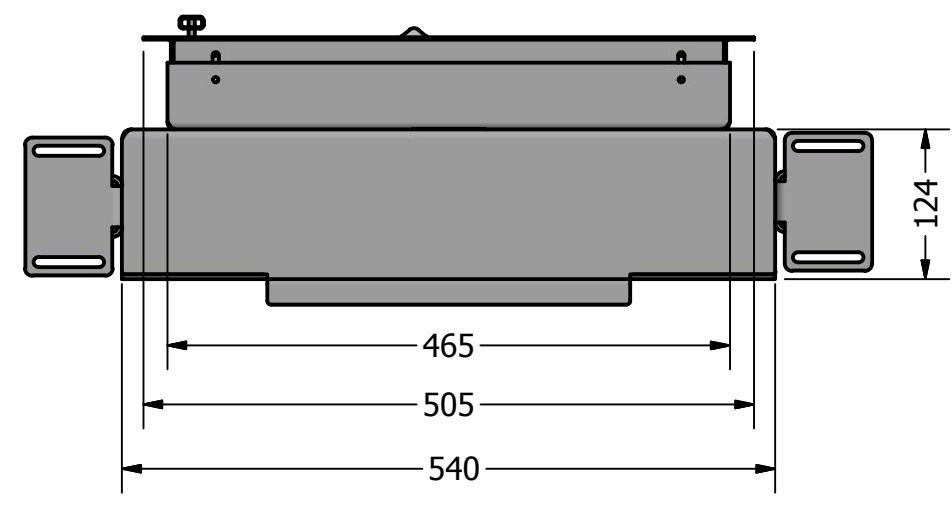
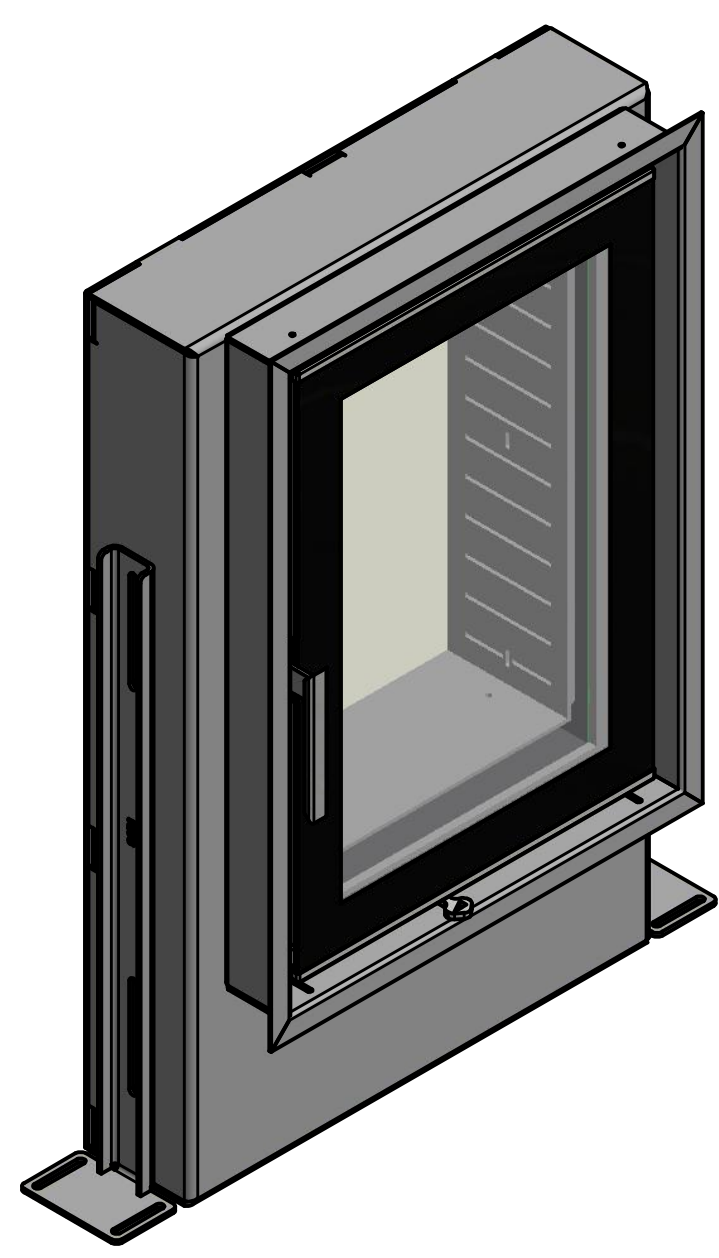
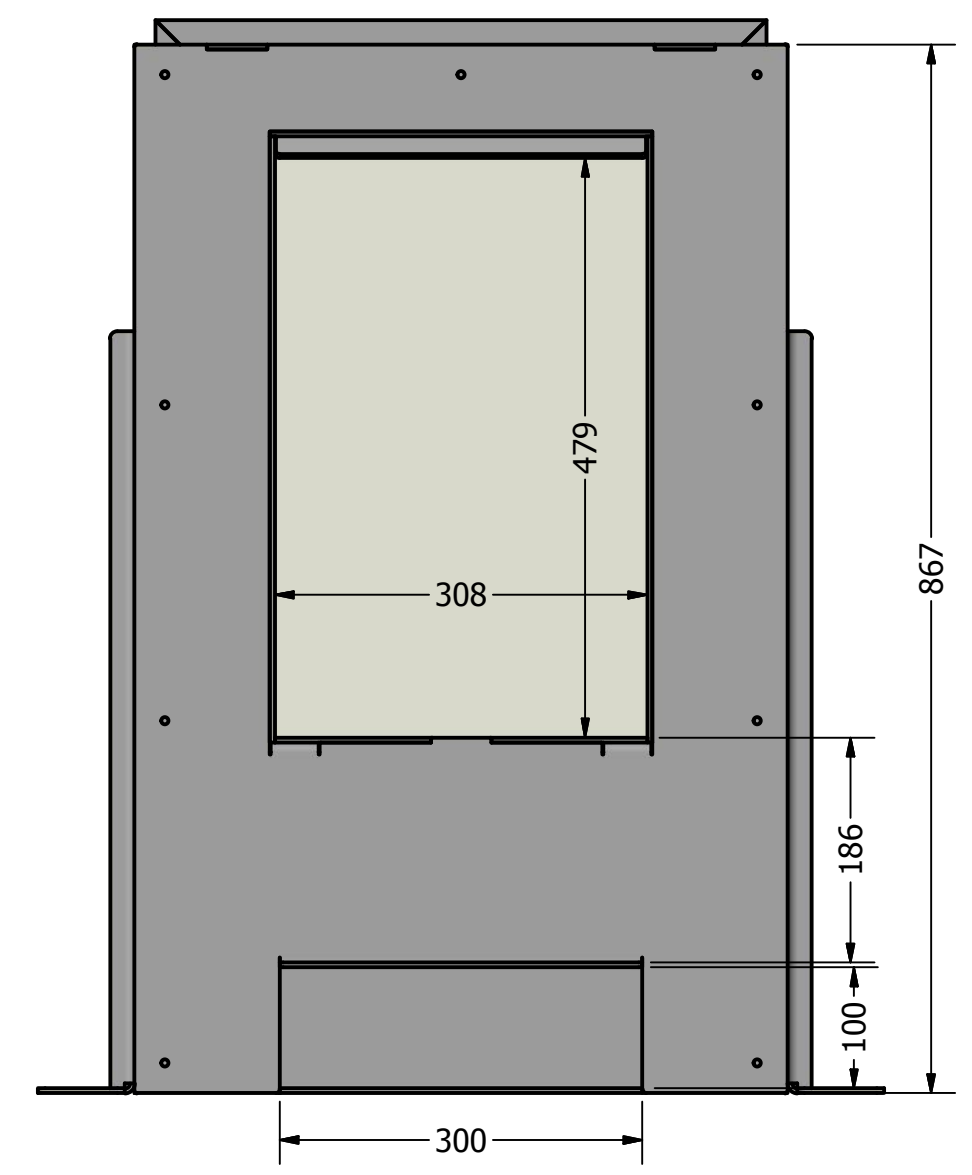
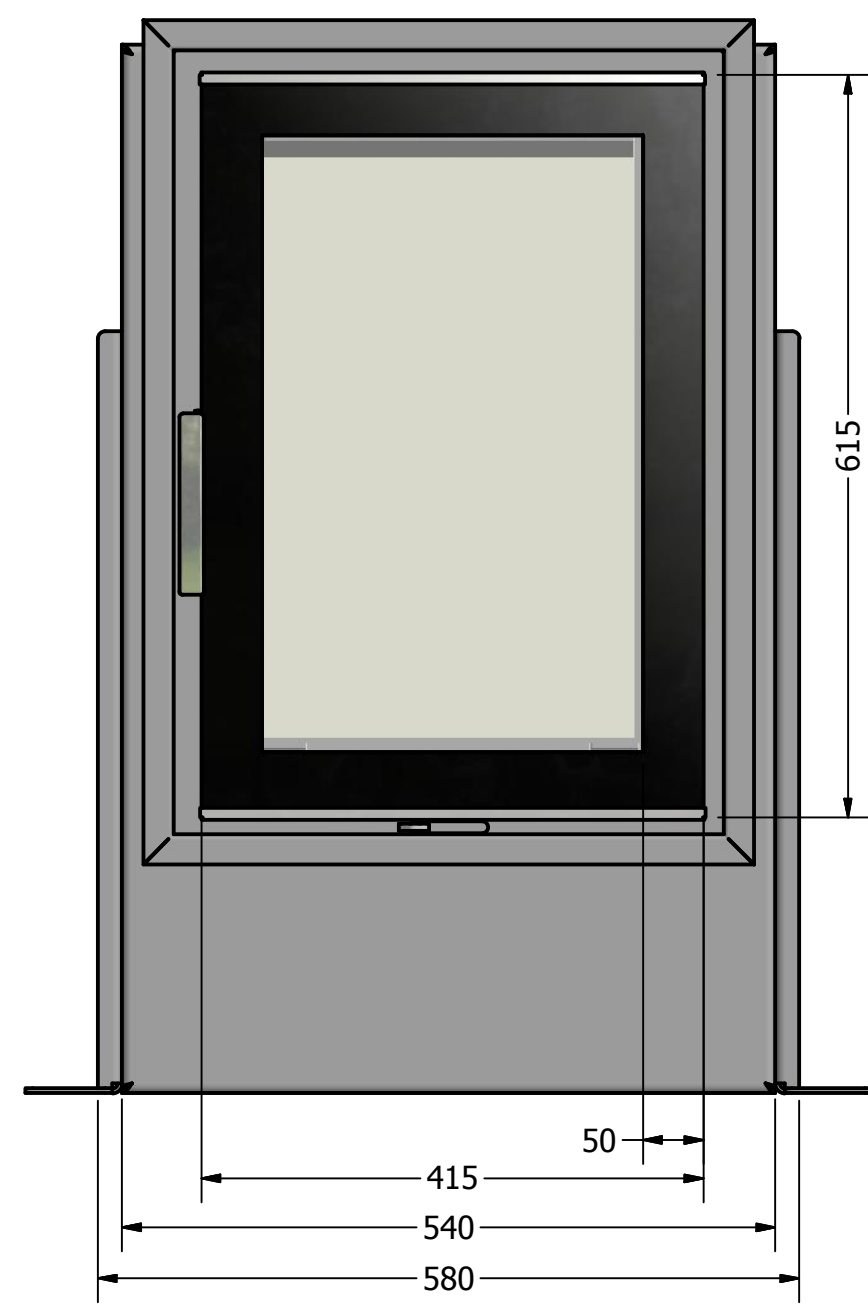
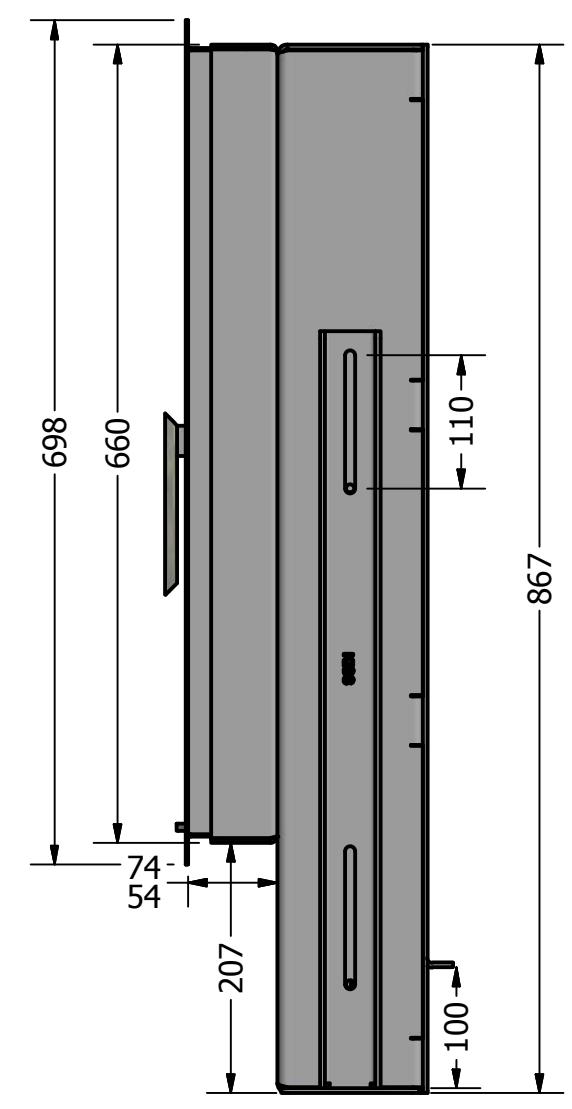


4 3 2 1

D  
C  
B  
A



DRAWN KISS KANDALLÓ	2018.04.03.	TITLE  KK4060		
CHECKED				
QA				
MFG				
APPROVED		SIZE C	DWG NO Min2TA400600-3d2	REV
		SCALE	SHEET 1 OF 1	

4 3 2 1